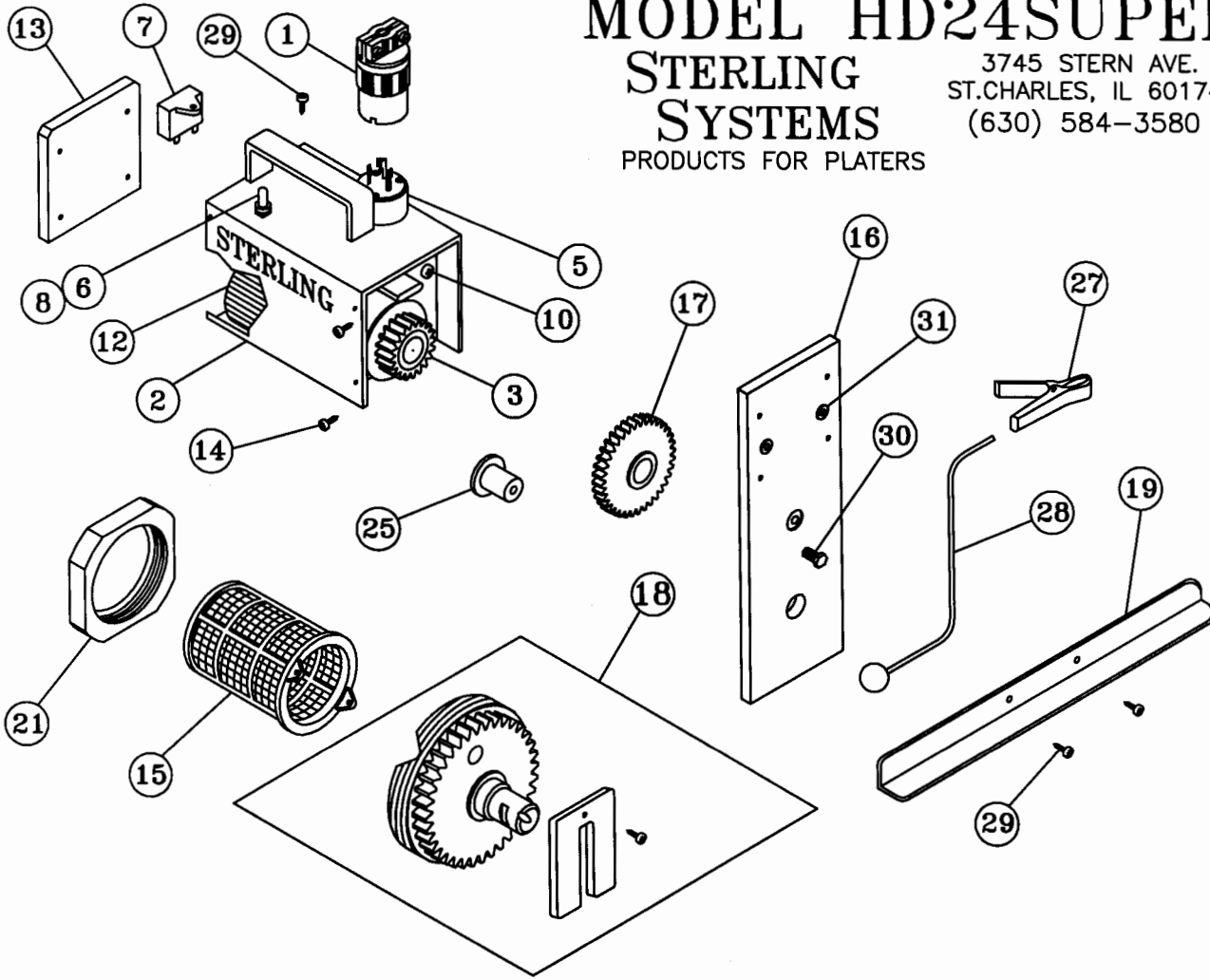


# MODEL HD24SUPER

STERLING  
SYSTEMS

3745 STERN AVE.  
ST. CHARLES, IL 60174  
(630) 584-3580

PRODUCTS FOR PLATERS



ITEM	PART NO.	DESCRIPTION	ITEM	PART NO.	DESCRIPTION
1	07-42	Female Connector	16	01-88	Barrel End Leg
2	32-11H	Motor Housing		01-88XTD	Barrel End Leg Extended
3	16-03 5/16	Motor Gear 5/16"	17	16-11	Idler Gear
5	07-43	Male Connector Assy.	18	24Drive	Drive Assy. & Mounting Hardware
6	07-52	Rubber Boot Only			
7	07-13	2.5 MFD Capacitor			
8	07-03	Switch & Boot Assy.	19	22-16	Lift Arm (2 Required)
10	03-07	#8-32SS Hex Nut	21	27-07	Basket Retainer Nut
12	07-35A	30 RPM Motor Assy.	25	21-03	Idler Shaft
	07-36A	60 RPM Motor Assy.	27	11-05	Copper Pygmy Clip
	07-39	30 RPM 12VDC Motor Assy.	28	D24B	Mini Ball Dangler
	07-39A	60 RPM 12VDC Motor Assy.	29	03-59	#8 x 5/8" SS SMS
14	03-30	#4 x 1/2" SS SMS	30	03-68	1/4-20 x 1/2" SS SMS
15	38-01	2 1/2" Basket Mesh .008	31	03-28	Washer #10 SS
	38-04	2 1/2" Basket Mesh .020			
	38-05	2 1/2" Basket Mesh .033			